

**PIM**

**PMC Interface Module**

# **PMCs and PIMs** **I/O Controller Pairs**

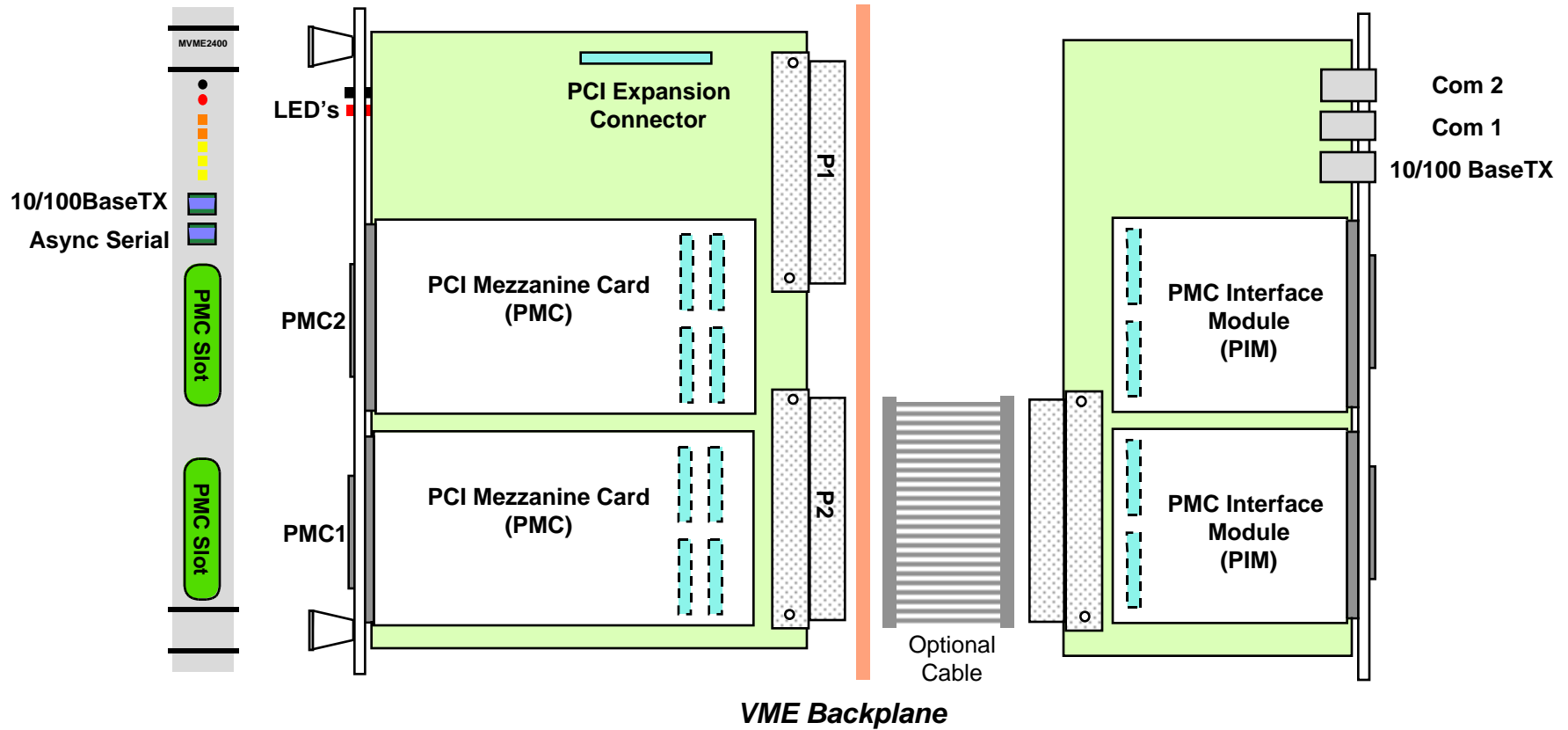
- ❑ **Rear I/O on PMCs is ugly today**  
...SO...
- ❑ **PMC Vendor creates --  
PMC and PIM pairs**
- ❑ **VME or CompactPCI vendor creates --  
CPU/I/O and PIM transition module pairs**

# PMC/PIM

## VME System Configuration

CPU card

Transition Module



# PMC/PIM System Configuration

